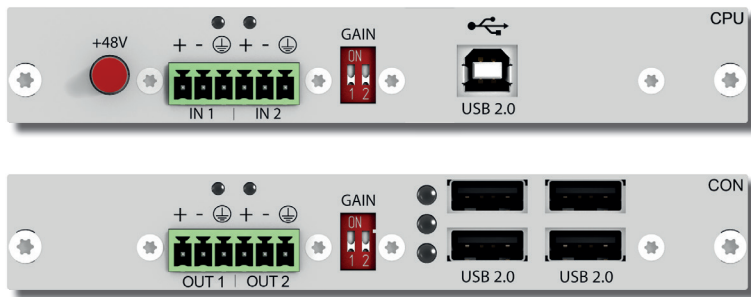


Add-on module with balanced audio



Balanced, unidirectional audio

Add-on module for Draco vario extenders

No additional link cable required

Phantom powering possible

PRODUCT INFORMATION

Function

The add-on module provides balanced audio transmission to KVM extender systems. The module supports unidirectional 2-channel mono or 1-channel stereo studio-quality audio transmission. The audio interface supports line level and mic level audio sources. The signals are transmitted within the main board's KVM data stream. No additional Cat X or fiber link is required.

Application

The module is designed for the transmission of microphone or mixing console signals without interference, with no regards to the distances. It allows the connection of active loudspeakers to the CON Unit. Phantom powering of a condenser microphone and pre-amplification of a microphone are possible. The sample rate of the interface can be set variably. All symmetrical audio extenders are compatible with digital audio extenders.

Installation

The module is designed as a half-slot width card to be combined with other add-on modules, e.g. USB 2.0 devices. This provides a significant increase in functionality and flexibility. The Draco vario system allows flexible mounting of modules on all main modules and in all Draco vario chassis.

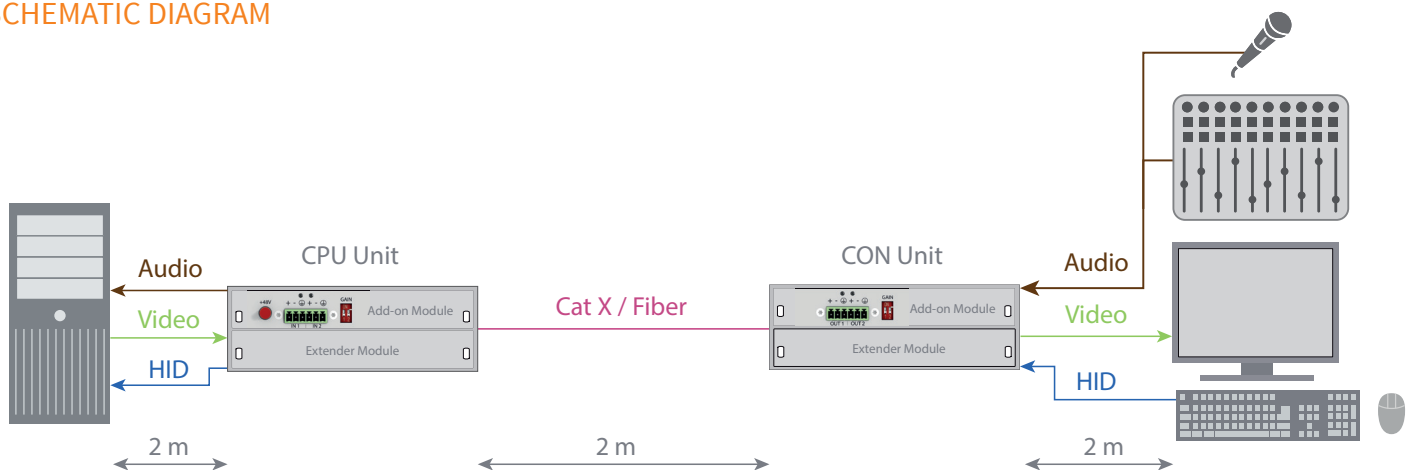
PRODUCT FEATURES

- Enables balanced audio transmission between workstation (CON Unit) and computer (CPU Unit)
- Compatible with Draco vario and Draco vario ultra extenders
- Transmission in the data stream of the main module, no additional port on the matrix required (function is also given over matrix)
- Supports condenser microphones and active loudspeakers
- Sample rate variably adjustable (default: 48.0 kHz)
- Supports audio embedding and de-embedding of HDMI and DisplayPort audio

Add-on module with balanced audio

TECHNICAL DATA	
Input/Output	6-pin Phoenix socket with 1. Pol: + 2. Pol: - 3. Pol: GND 4. Pol: + 5. Pol: - 6. Pol: GND
Signal level - Input	Max. 6,4 dBu balanced (Gain: 0 dB) Max. 0,44 dBu unbalanced (Gain: 0 dB)
Signal level - Output	8,1 dBu (balanced) 2,1 dBu (unbalanced)
Phantom powering	48 VDC
Preamplification	10 dB default
Bit depth	24 bit
Sample-Rate	32 bis 192 kHz adjustable
Power consumption	CPU: 500mA CON: 370mA
Number of slots	1
Dimensions	14,5 x 13 x 2 cm
Weight	60 g

SCHEMATIC DIAGRAM



ORDER NUMBERS

Draco vario CPU add-on module, balanced audio		CPU	L474-BB2X
Draco vario CON add-on module, balanced audio		CON	R474-BB2X
Draco vario CPU add-on module, balanced audio, emb. USB 2.0		CPU	L474-BB2E2
Draco vario CON add-on module, balanced audio, emb. USB 2.0		CON	R474-BB2E2